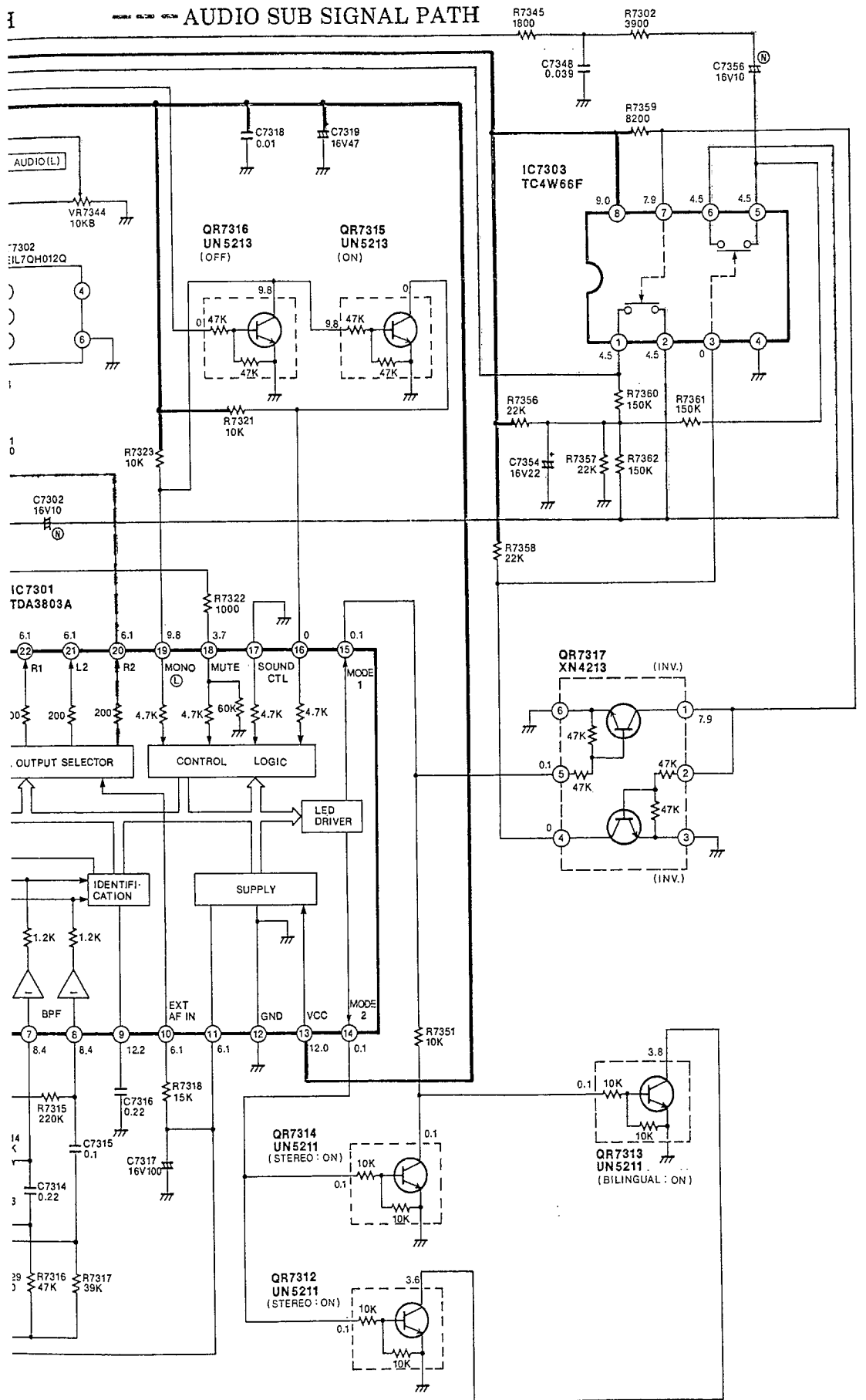
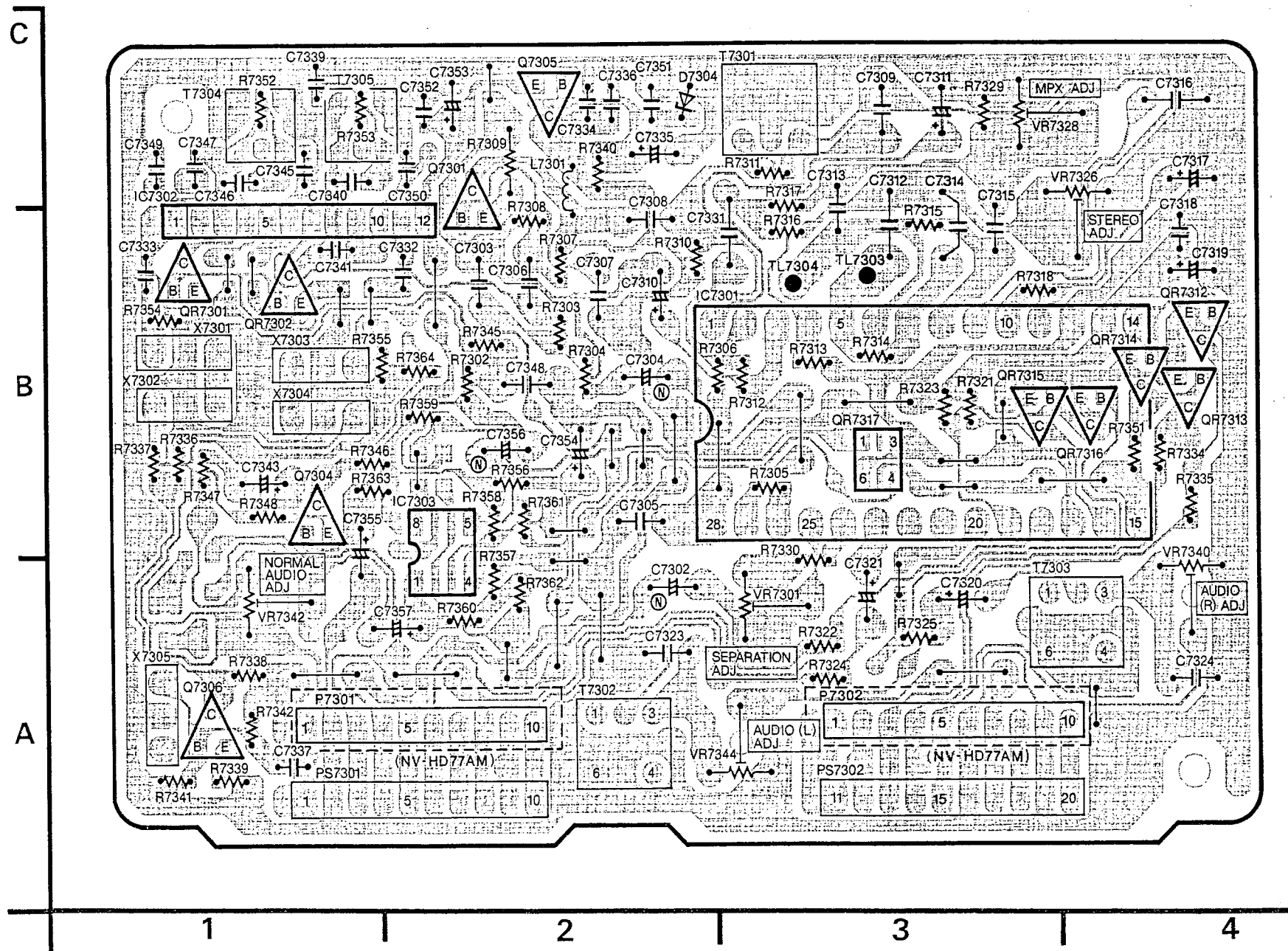


4-20 DECODER PACK C B A (VEP07725A: NV-HD70AM) (VEP07725B: NV-HD77AM)



DECODER PACK C.B.A.					
Transistor		Adjustment			
Q7301	C-2	VR7301	A-3		
Q7304	B-1	VR7326	C-4		
Q7305	C-2	VR7328	C-3		
Q7306	A-1	VR7340	A-4		
Transistor & Resistor		VR7342	A-1		
		VR7344	A-2		
Integrated Circuit		Connector			
		QR7301	B-1	P7301	A-1
		QR7302	B-1		
		QR7312	B-4	P7302	A-3
		QR7313	B-4	PS7301	A-1
		QR7314	B-4	PS7302	A-3
		QR7315	B-3		
QR7316	B-4				
QR7317	B-3				

ADDRESS INFORMATION



NOTE: DO NOT USE ANY PART NUMBER SHOWN ON THIS SCHEMATIC DIAGRAM FOR ORDERING. WHEN YOU ORDER A PART, PLEASE REFER TO PARTS LIST.